

# PC30AL

Remote Power Controller PC30AL is capable of controlling load up to 2000W from the distance of up to 150m. It doesn't have to be in sight of a remote. Dimmer can adjust power 50%-75%-100%-OFF with dedicated buttons. PC30AL has aluminium body, which acts as a heat sink, is waterproof and can be used indoors or outdoors.

Remote Power Controller has special adhesive tape for outdoor use, which sticks to the surface. No holes or drilling is required. With easy fit connectors - simply plug in the cords. Female and male connections differ so they can be connected only where they have to. No chances for a mistake.

Remote handset, 2 - Female and male waterproof cable connectors are included in the box.



## ELECTRICAL SPECIFICATIONS

---

Max Load: 2000W

---

Voltage: 220V-240V

---

Hertz: 50Hz-60Hz

---

Amps @ 230V: 8.7A Max

---

For Power Factor: 1; Resistive Load

---

## CONSTRUCTION SPECIFICATIONS

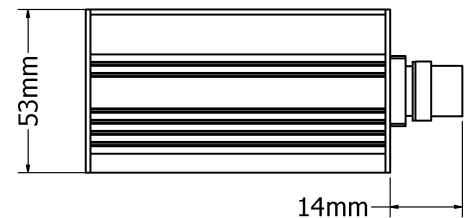
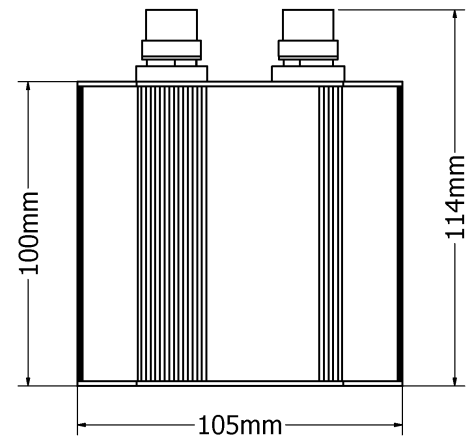
---

Body: Aluminium

---

Finish: Anodised

---



## MECHANICAL SPECIFICATIONS

---

Dimensions: 114mm 53mm 105mm

---

Net Weight: 380g (Main Unit)

---

Ports: 2; Female & Male

---

Connection Type: Special Connectors

---

IP Rating: IP66

---

## WIRELESS SPECIFICATIONS

---

Working Frequency: 433MHz

---

Receiving Sensitivity: 103dBm

---

Signal Distance: 150m Direct Sight

---

EMC Filter: Yes

---

Application: Indoor & Outdoor

---