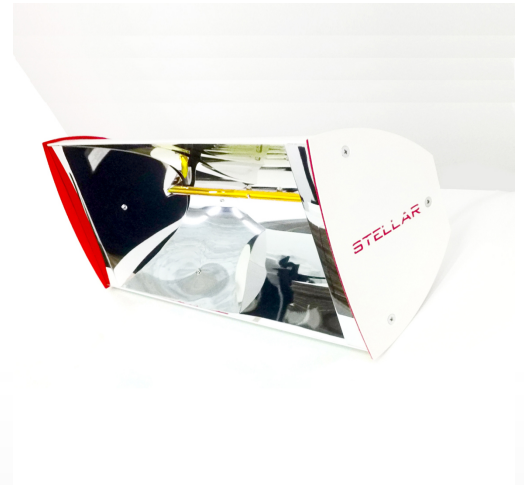


# HORIZON

Horizon heater is designed and manufactured to provide highest heat output possible, without any compromises. Horizon is the most powerful infrared heater in the world.

Heater is fitted with the highest quality, custom made Toshiba Shortwave Infrared Halogen lamp which has universal burning position, heater can be mounted horizontally or vertically. Horizon provides maximum heat output instantly, in a second, has no odor or smell, has no emissions. Heats large areas, reflector with highest specular properties and true parabolic shape focuses and directs heat where it is needed without a loss. Side reflectors are fitted in angular position, in order to dissipate heat on the sides as well.

Horizon is equipped with special heat resistant cable and can be used at any application indoors or outdoors. Constructed using Stainless Steel, Horizon is absolutely resistant to corrosion.



## ELECTRICAL SPECIFICATIONS

Power: 1500W | 2000W

Voltage: 220V-240V

Hertz: 50Hz-60Hz

Amps @ 230V: 6.5A | 8.7A

Power Factor: 1; Resistive Load

## CONSTRUCTION SPECIFICATIONS

Body: Stainless Steel 304

Finish: Powder Coat

## MECHANICAL SPECIFICATIONS

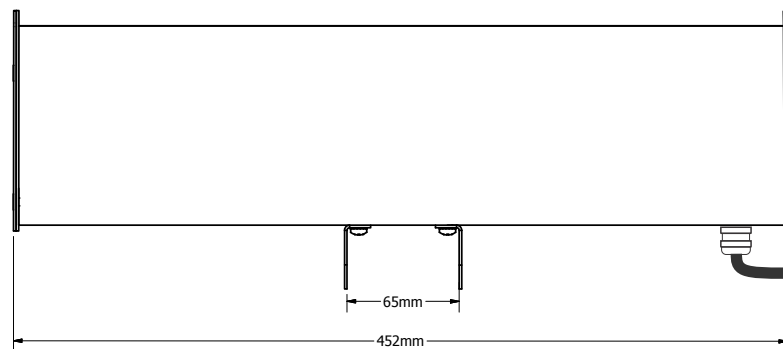
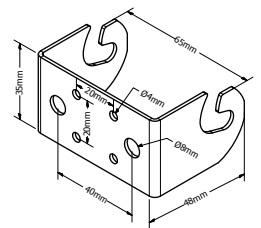
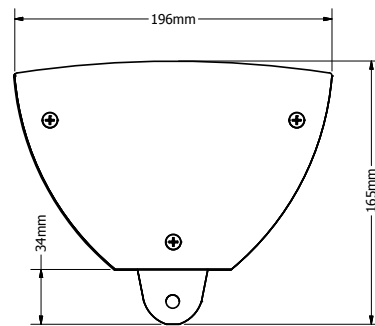
Dimensions: 452mm 165mm 196mm

Net Weight: 1.7kg

Cable Type: H05SS-F 3G 1.5mm 180C°

Cable Length: 80cm

IP Rating: IP66



## MOUNTING SPECIFICATIONS

Height/Floor: min 2m

Height/Ceiling: min 0.35m

Spacing: 1m

Burning Position: Universal

Application: Indoor & Outdoor